

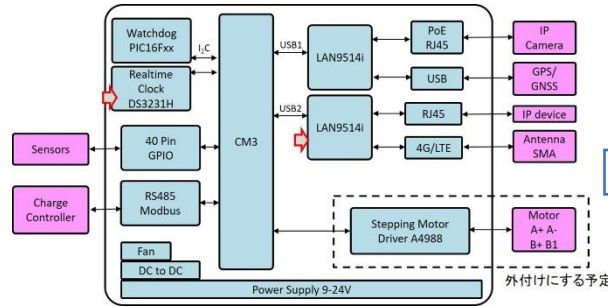


Development of Carrier Board for Energy Harvest Visual IoT system



The number of world meteorological disasters every 10 years has increased 5 times larger during these fifty years (from 1970 to 2019).

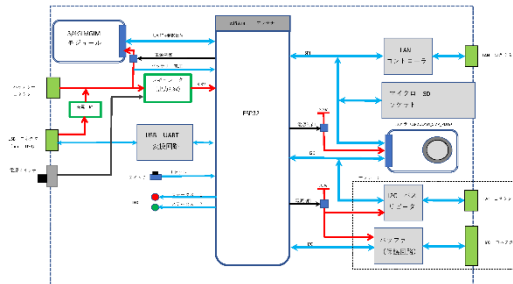
RPi4 carrier board based



Edge computing Visual IoT system

Urban type wide-band Visual IoT system with outlet power

ESP32 microcomputer board



Visual IoT system with solar-power

Rural type narrow-band Visual IoT system with energy harvest power

Partners

- NECTEC, Thailand
- KMITL, Thailand
- ASTI, Philippines
- UTB, Brunei
- UCSY, Myanmar

Principal researcher

Ken T. Murata
Research Executive Director

Open Innovation Promotion Headquarters
Social Innovation Unit
ICT Testbed Research and Development Promotion Center